



Fused Connection Units



In creating the modern, aesthetically pleasing and ergonomic design of the CURVA range we did not lose sight of the need to produce a true value for money product offering the upmost appeal to installers and end users alike.

Only the best quality raw materials were used in producing this durable, attractive and modern range of accessories which will adorn the walls of all manner of buildings for years to come.

Fused Connection Units

Product Range

Fused Connection Units With Optional Flex Outlet (Through Front of Plate)

CCA050	13A Fused Connection Unit
CCA051	13A Fused Connection Unit DP Switched
CCA052	13A Fused Connection Unit DP Switched & Neon
CCA053	13A Fused Connection Unit With Neon



CCA050



CCA051



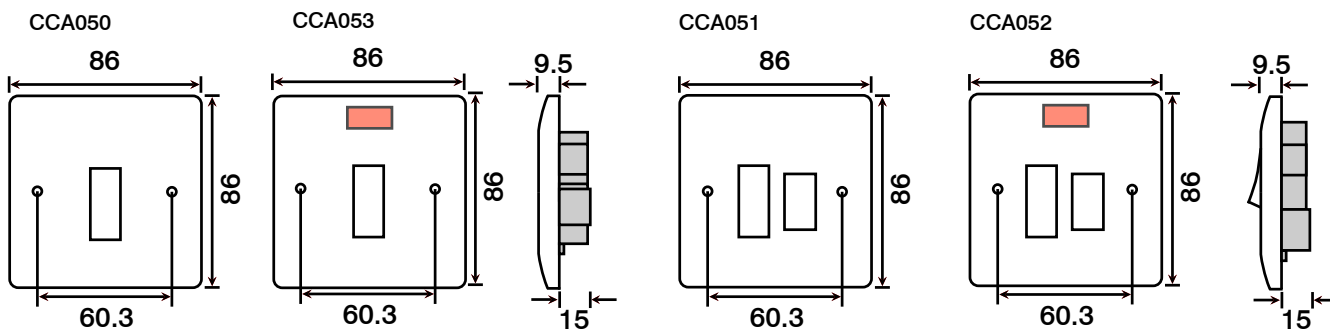
CCA052



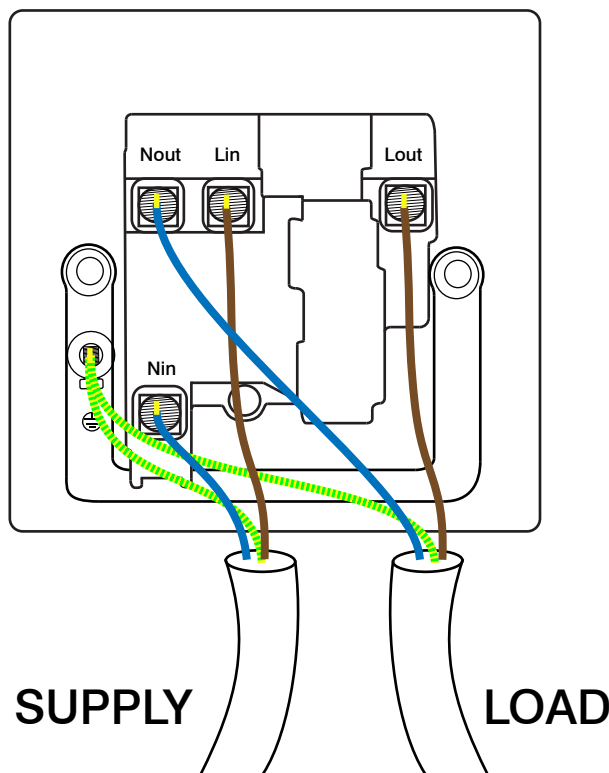
CCA053

Fused Connection Units

Product Dimensions (mm)



Wiring Diagrams



Fused Connection Units

Technical Specification

Fused Connection Units

Material Composition	Front Plate, Rocker Switch & Rear Housing: Urea Terminals: Brass, Terminal Screws: Steel & Yellow Passivated Internal Mechanism: Formed Press Brass Silver “on-lay” Copper / Brass Contacts
Voltage	240V~ 50Hz
Current Rating	13A
Terminal Size	5mm ø
Torque Value	2.5Nm
Cable Size	3 x 2.5mm ² or 2 x 4.0mm ²
Single Pole	(050 & 053)
Double Pole	(051 & 052)
Twin Earth	No
Back Box Depth	25mm - 47mm
Warranty	10 Years
Anti Microbial Certified	Yes
IP Rating	IP20
Operational Temperature	-5° to +40°C
Standards	The Low Voltage Directive 2006/95/EC / Modified ISO 22196 BS 1363-4:1995+A4:2012 Fuses to BS 1362:1973

Additional Information

Ensure that the mains supply is isolated before commencing installation and refer to the circuit diagram with the relevant product.

Bare earth cables must always be covered with appropriate sleeving and wired to the earth terminal.

All white moulded accessories are manufactured using Urea Formaldehyde, which has similar inherent properties to antimicrobial additives that inhibit the growth of infectious diseases. All products were independently tested and achieved a 99.9% kill rate across all four types of the strains of bacteria - MRSA, E-Coli, Salmonella, and Klebsiella Pneumoniae.



DECLARATION OF CONFORMITY

1. *Issuer Name* Scolmore International Limited
2. *Issuer Address* 1 Scolmore Park, Landsberg,
Lichfield Road Industrial Estate,
Tamworth, Staffordshire, B79 7XB
3. *Object(s) of Declaration* Curva Range
a. *Group* Fused Connection Units
b. *Model No.* CCA050, CCA051, CCA052, CCA053
4. *The object of the declaration described above is in conformity with the requirements of the following Legislations:*
- | Document No | Title |
|-------------|-----------------------|
| 2006/95/EC | Low Voltage Directive |

5. *All products contained within the aforementioned comply with the relevant standards and requirements listed below.*

BS 1363-4 : 1995 + A4 : 2012

6. *I hereby declare that the equipment named above has been designed to comply with the relevant sections of the above referenced specifications. The unit complies with all applicable Essential Requirements of the Directives.*

In conjunction with the above all manufacture and process controls are in accordance with ISO 9001:2008

Signed, for and on behalf of: Scolmore International Limited

Steven Bettson BSc - Senior Technical Support Engineer

CE 13